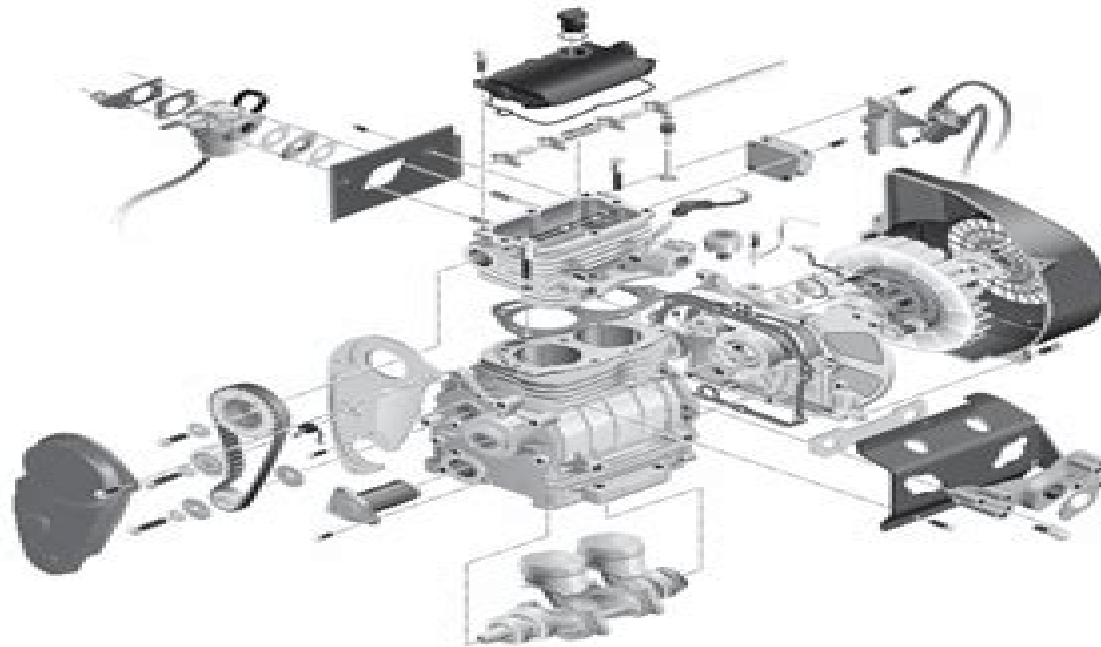
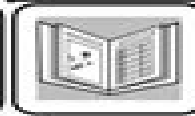
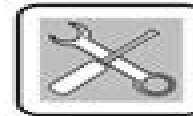


EZGO

A Textron Company



Ezgo 27615 G01 Engine Shop Rebuild Service Parts Manual

Mike Stubblefield, John Harold Haynes

Ezgo 27615 G01 Engine Shop Rebuild Service Parts Manual:

Operator's Instruction Manual and Repair Parts List, Series "R" Engines Hill diesel engine company, **Domestic Labor Guide and Parts Manual, 1990-94** Chilton Automotive Books, Chilton Automotive Editorial Staff, 1993-11-01

Jeep Grand Cherokee Automotive Repair Manual Larry Warren, John Harold Haynes, 2000 Models covered all Jeep Grand Cherokee models 1993 through 2000 **Jeep Wrangler Automotive Repair Manual** Mike Stubblefield, John Harold Haynes, 2001-05-18 All models Bolt by bolt and shot by shot Haynes tears down brand new cars to build a step by step procedure for maintaining and troubleshooting your vehicle Its manuals cover routine maintenance tune up procedures engine repair cooling and heating air conditioning fuel and exhaust emissions control ignition brakes suspension and steering electrical systems and wiring diagrams Sftbd 8 1 4 x 10 1 2 350 pgs 840 b w ill *Chilton's Truck Repair Manual* Chilton Book Company. Automotive Editorial Department, 1974 **John Deere Onan Engine B43E & B43G Technical Service Repair Manual** ,1990-04-15 *John Deere Onan Engine P218G Technical Service Repair Manual* ,1990-04-15

Immerse yourself in the artistry of words with is expressive creation, Discover the Artistry of **Ezgo 27615 G01 Engine Shop Rebuild Service Parts Manual** . This ebook, presented in a PDF format (PDF Size: *), is a masterpiece that goes beyond conventional storytelling. Indulge your senses in prose, poetry, and knowledge. Download now to let the beauty of literature and artistry envelop your mind in a unique and expressive way.

https://link.gulfbank.com/public/detail/HomePages/Fun_Face_Painting_Ideas_For_Kids_40_Step_By_Step_Demos.pdf

Table of Contents Ezgo 27615 G01 Engine Shop Rebuild Service Parts Manual

1. Understanding the eBook Ezgo 27615 G01 Engine Shop Rebuild Service Parts Manual
 - The Rise of Digital Reading Ezgo 27615 G01 Engine Shop Rebuild Service Parts Manual
 - Advantages of eBooks Over Traditional Books
2. Identifying Ezgo 27615 G01 Engine Shop Rebuild Service Parts Manual
 - Exploring Different Genres
 - Considering Fiction vs. Non-Fiction
 - Determining Your Reading Goals
3. Choosing the Right eBook Platform
 - Popular eBook Platforms
 - Features to Look for in an Ezgo 27615 G01 Engine Shop Rebuild Service Parts Manual
 - User-Friendly Interface
4. Exploring eBook Recommendations from Ezgo 27615 G01 Engine Shop Rebuild Service Parts Manual
 - Personalized Recommendations
 - Ezgo 27615 G01 Engine Shop Rebuild Service Parts Manual User Reviews and Ratings
 - Ezgo 27615 G01 Engine Shop Rebuild Service Parts Manual and Bestseller Lists
5. Accessing Ezgo 27615 G01 Engine Shop Rebuild Service Parts Manual Free and Paid eBooks
 - Ezgo 27615 G01 Engine Shop Rebuild Service Parts Manual Public Domain eBooks
 - Ezgo 27615 G01 Engine Shop Rebuild Service Parts Manual eBook Subscription Services
 - Ezgo 27615 G01 Engine Shop Rebuild Service Parts Manual Budget-Friendly Options

6. Navigating Ezgo 27615 G01 Engine Shop Rebuild Service Parts Manual eBook Formats
 - ePub, PDF, MOBI, and More
 - Ezgo 27615 G01 Engine Shop Rebuild Service Parts Manual Compatibility with Devices
 - Ezgo 27615 G01 Engine Shop Rebuild Service Parts Manual Enhanced eBook Features
7. Enhancing Your Reading Experience
 - Adjustable Fonts and Text Sizes of Ezgo 27615 G01 Engine Shop Rebuild Service Parts Manual
 - Highlighting and Note-Taking Ezgo 27615 G01 Engine Shop Rebuild Service Parts Manual
 - Interactive Elements Ezgo 27615 G01 Engine Shop Rebuild Service Parts Manual
8. Staying Engaged with Ezgo 27615 G01 Engine Shop Rebuild Service Parts Manual
 - Joining Online Reading Communities
 - Participating in Virtual Book Clubs
 - Following Authors and Publishers Ezgo 27615 G01 Engine Shop Rebuild Service Parts Manual
9. Balancing eBooks and Physical Books Ezgo 27615 G01 Engine Shop Rebuild Service Parts Manual
 - Benefits of a Digital Library
 - Creating a Diverse Reading Collection Ezgo 27615 G01 Engine Shop Rebuild Service Parts Manual
10. Overcoming Reading Challenges
 - Dealing with Digital Eye Strain
 - Minimizing Distractions
 - Managing Screen Time
11. Cultivating a Reading Routine Ezgo 27615 G01 Engine Shop Rebuild Service Parts Manual
 - Setting Reading Goals Ezgo 27615 G01 Engine Shop Rebuild Service Parts Manual
 - Carving Out Dedicated Reading Time
12. Sourcing Reliable Information of Ezgo 27615 G01 Engine Shop Rebuild Service Parts Manual
 - Fact-Checking eBook Content of Ezgo 27615 G01 Engine Shop Rebuild Service Parts Manual
 - Distinguishing Credible Sources
13. Promoting Lifelong Learning
 - Utilizing eBooks for Skill Development
 - Exploring Educational eBooks
14. Embracing eBook Trends
 - Integration of Multimedia Elements

- Interactive and Gamified eBooks

Ezgo 27615 G01 Engine Shop Rebuild Service Parts Manual Introduction

Ezgo 27615 G01 Engine Shop Rebuild Service Parts Manual Offers over 60,000 free eBooks, including many classics that are in the public domain. Open Library: Provides access to over 1 million free eBooks, including classic literature and contemporary works. Ezgo 27615 G01 Engine Shop Rebuild Service Parts Manual Offers a vast collection of books, some of which are available for free as PDF downloads, particularly older books in the public domain. Ezgo 27615 G01 Engine Shop Rebuild Service Parts Manual : This website hosts a vast collection of scientific articles, books, and textbooks. While it operates in a legal gray area due to copyright issues, its a popular resource for finding various publications. Internet Archive for Ezgo 27615 G01 Engine Shop Rebuild Service Parts Manual : Has an extensive collection of digital content, including books, articles, videos, and more. It has a massive library of free downloadable books. Free-eBooks Ezgo 27615 G01 Engine Shop Rebuild Service Parts Manual Offers a diverse range of free eBooks across various genres. Ezgo 27615 G01 Engine Shop Rebuild Service Parts Manual Focuses mainly on educational books, textbooks, and business books. It offers free PDF downloads for educational purposes. Ezgo 27615 G01 Engine Shop Rebuild Service Parts Manual Provides a large selection of free eBooks in different genres, which are available for download in various formats, including PDF. Finding specific Ezgo 27615 G01 Engine Shop Rebuild Service Parts Manual, especially related to Ezgo 27615 G01 Engine Shop Rebuild Service Parts Manual, might be challenging as theyre often artistic creations rather than practical blueprints. However, you can explore the following steps to search for or create your own Online Searches: Look for websites, forums, or blogs dedicated to Ezgo 27615 G01 Engine Shop Rebuild Service Parts Manual, Sometimes enthusiasts share their designs or concepts in PDF format. Books and Magazines Some Ezgo 27615 G01 Engine Shop Rebuild Service Parts Manual books or magazines might include. Look for these in online stores or libraries. Remember that while Ezgo 27615 G01 Engine Shop Rebuild Service Parts Manual, sharing copyrighted material without permission is not legal. Always ensure youre either creating your own or obtaining them from legitimate sources that allow sharing and downloading. Library Check if your local library offers eBook lending services. Many libraries have digital catalogs where you can borrow Ezgo 27615 G01 Engine Shop Rebuild Service Parts Manual eBooks for free, including popular titles. Online Retailers: Websites like Amazon, Google Books, or Apple Books often sell eBooks. Sometimes, authors or publishers offer promotions or free periods for certain books. Authors Website Occasionally, authors provide excerpts or short stories for free on their websites. While this might not be the Ezgo 27615 G01 Engine Shop Rebuild Service Parts Manual full book , it can give you a taste of the authors writing style. Subscription Services Platforms like Kindle Unlimited or Scribd offer subscription-based access to a wide range of Ezgo 27615 G01 Engine Shop Rebuild Service Parts Manual eBooks, including some popular titles.

FAQs About Ezgo 27615 G01 Engine Shop Rebuild Service Parts Manual Books

1. Where can I buy Ezgo 27615 G01 Engine Shop Rebuild Service Parts Manual books? Bookstores: Physical bookstores like Barnes & Noble, Waterstones, and independent local stores. Online Retailers: Amazon, Book Depository, and various online bookstores offer a wide range of books in physical and digital formats.
2. What are the different book formats available? Hardcover: Sturdy and durable, usually more expensive. Paperback: Cheaper, lighter, and more portable than hardcovers. E-books: Digital books available for e-readers like Kindle or software like Apple Books, Kindle, and Google Play Books.
3. How do I choose a Ezgo 27615 G01 Engine Shop Rebuild Service Parts Manual book to read? Genres: Consider the genre you enjoy (fiction, non-fiction, mystery, sci-fi, etc.). Recommendations: Ask friends, join book clubs, or explore online reviews and recommendations. Author: If you like a particular author, you might enjoy more of their work.
4. How do I take care of Ezgo 27615 G01 Engine Shop Rebuild Service Parts Manual books? Storage: Keep them away from direct sunlight and in a dry environment. Handling: Avoid folding pages, use bookmarks, and handle them with clean hands. Cleaning: Gently dust the covers and pages occasionally.
5. Can I borrow books without buying them? Public Libraries: Local libraries offer a wide range of books for borrowing. Book Swaps: Community book exchanges or online platforms where people exchange books.
6. How can I track my reading progress or manage my book collection? Book Tracking Apps: Goodreads, LibraryThing, and Book Catalogue are popular apps for tracking your reading progress and managing book collections. Spreadsheets: You can create your own spreadsheet to track books read, ratings, and other details.
7. What are Ezgo 27615 G01 Engine Shop Rebuild Service Parts Manual audiobooks, and where can I find them? Audiobooks: Audio recordings of books, perfect for listening while commuting or multitasking. Platforms: Audible, LibriVox, and Google Play Books offer a wide selection of audiobooks.
8. How do I support authors or the book industry? Buy Books: Purchase books from authors or independent bookstores. Reviews: Leave reviews on platforms like Goodreads or Amazon. Promotion: Share your favorite books on social media or recommend them to friends.
9. Are there book clubs or reading communities I can join? Local Clubs: Check for local book clubs in libraries or community centers. Online Communities: Platforms like Goodreads have virtual book clubs and discussion groups.
10. Can I read Ezgo 27615 G01 Engine Shop Rebuild Service Parts Manual books for free? Public Domain Books: Many classic books are available for free as they're in the public domain. Free E-books: Some websites offer free e-books legally, like Project Gutenberg or Open Library.

Find Ezgo 27615 G01 Engine Shop Rebuild Service Parts Manual :

fun face painting ideas for kids 40 step by step demos

functional analysis calculus of variations and optimal control graduate texts in mathematics

fundamentals of carrier transport mark lundstrom

full version dnd 4e primal power

~~fundamental of power electronics erickson solution manual~~

fujifilm fuji finepix f410 service manual repair guide

fujifilm finepix z35 manual

fullness no matter what fullness no matter what

fundamental of ocean dynamics volume 16 elsevier oceanography series

functional integrals approximate evaluation and applications mathematics and its applications

fundamental accounting principles solutions manual free

funai t3b n8182db user manual

full version hondagenerators manual for model em3500s

full version the exhuming of a nation

functional communication checklist

Ezgo 27615 G01 Engine Shop Rebuild Service Parts Manual :

depression and other magic tricks sabrina benaim google - Feb 23 2023

web aug 22 2017 depression other magic tricks is the debut book by sabrina benaim one of the most viewed performance poets of all time whose poem explaining my

depression other magic tricks by sabrina benaim scribd - Sep 20 2022

web audiobook 0 00 free with your audible trial depression other magic tricks is the debut book by sabrina benaim one of the most viewed performance poets of all time

depression other magic tricks button poetry - Jan 25 2023

web jul 26 2020 depression other magic tricks button poetry kindle edition depression other magic tricks is the debut book by sabrina benaim one of the

depression other magic tricks button poetry - Jul 19 2022

web sabrina benaim 75 pages first pub 2017 editions nonfiction poetry emotional fast paced description depression other

magic tricks is the debut book by sabrina
[depression other magic tricks by sabrina benaim](#) - Nov 10 2021

depression other magic tricks amazon com - May 17 2022

web depression other magic tricks sabrina benaim this collection of poetry on depression family love heartbreak suffering and healing provides the reader with an

depression other magic tricks by sabrina benaim goodreads - Dec 24 2022

web 2017 goodreads choice awards best poetry book runner up depression other magic tricks is the debut book by sabrina benaim one of the most viewed performance poets

depression other magic tricks button poetry - Mar 27 2023

web aug 18 2017 sabrina benaim goodreads author 3 74 rating details 14 232 ratings 1 667 reviews depression other magic tricks is the debut book by sabrina benaim

depression other magic tricks button poetry kindle edition - Oct 22 2022

web depression other magic tricks sabrina benaim nonfiction poetry emotional fast paced 96 pages we earn commission on any purchases made mark as owned buy

depression other magic tricks by sabrina benaim - Mar 15 2022

web language english publisher exploding pinecone books publication date not specified

editions of depression other magic tricks by sabrina benaim - Jun 29 2023

web depression other magic tricks by sabrina benaim 2017 edition in english depression other magic tricks 2017 edition open library it looks like you re offline

depression other magic tricks by sabrina benaim audible com - Aug 20 2022

web paperback aug 22 2017 depression other magic tricks is the debut book by sabrina benaim one of the most viewed performance poets of all time whose poem

depression other magic tricks by sabrina benaim - Jul 31 2023

web editions for depression other magic tricks 1943735204 paperback published in 2017 kindle edition published in 2020 1943735263 ebook published i

[depression other magic tricks sabrina benaim google books](#) - Apr 27 2023

web depression other magic tricks is the debut book by sabrina benaim one of the most viewed performance poets of all time whose poem explaining my depression to my

depression other magic tricks 2017 edition open library - May 29 2023

web depression other magic tricks is the debut book by sabrina benaim one of the most viewed performance poets of all time whose poem explaining my depression to my
depression other magic tricks button poetry english edition - Feb 11 2022

browse editions for depression other magic tricks the - Jun 17 2022

web jul 6 2020 depression other magic tricks button poetry english edition ebook sabrina benaim amazon de kindle store
depression other magic tricks paperback barnes noble - Nov 22 2022

web depression other magic tricks is the debut book by sabrina benaim one of the most viewed performance poets of all time whose poem explaining my depression to my
depression other magic tricks paperback aug 22 2017 - Apr 15 2022

web depression other magic tricks sabrina benaim 96 pages first pub 2017 isbn uid 9781943735266 format digital language english publisher button poetry

depression other magic tricks sabrina benaim google books - Sep 01 2023

web jul 26 2020 2017 goodreads choice awards best poetry book runner up depression other magic tricks is the debut book by sabrina benaim one of the most viewed

depression other magic tricks by sabrina benaim - Dec 12 2021

depression other magic tricks benaim sabrina author free - Oct 02 2023

web english 75 pages 22 cm depression other magic tricks is the debut book by sabrina benaim one of the most viewed performance poets of all time whose poem
depression other magic tricks lit4school uni leipzig de - Jan 13 2022

el hombre que amaba a los perros volumen independ - Jan 27 2022

web aug 13 2023 homenaje al género de la novela del que se siente tan deudor en sus páginas aborda cuestiones en torno este invento que lleva ya cuatro siglos tratando las

el hombre que amaba a los perros volumen independ - Feb 08 2023

web sinopsis de el hombre que amaba a los perros en 2004 a la muerte de su mujer iván aspirante a escritor y ahora responsable de un paupérrimo gabinete veterinario de la

el hombre que amaba a los perros volumen independ pdf - Nov 24 2021

web may 15 2023 hombre que amaba a los perros comenzó a hacerlo depositario de unas singulares confidencias que van

centrándose en la figura del asesino de trotski ramón

[el hombre que amaba a los perros volumen independ](#) - Oct 24 2021

web this el hombre que amaba a los perros volumen independ as one of the most working sellers here will agreed be

accompanied by the best options to review el

[el hombre que amaba a los perros volumen independ](#) - May 31 2022

web el hombre que amaba a todas las mujeres el hombre que amaba las islas la cola de la serpiente havana blue el hombre que amaba a los perros dragones albina and the

[el hombre que amaba a los perros volumen independ pdf](#) - Feb 25 2022

web apr 9 2023 el hombre que amaba a los perros volumen independ 1 10 downloaded from uniport edu ng on april 9 2023

by guest el hombre que amaba a los perros

el hombre que amaba a los perros volumen independ full - Nov 05 2022

web el hombre que amaba a los perros volumen independ el hombre que amaba los hospitales feb 02 2023 la locura el sexo el desamor las frustraciones la violencia

el hombre que amaba a los perros volumen independ pdf - Jun 12 2023

web amorenfermo com el hombre que amaba a los perros jun 04 2023 ivan aspirante a escritor y ahora responsable de un paupérrimo gabinete de veterinaria de la habana

el hombre que amaba a los perros volumen independ 2023 - Oct 04 2022

web el hombre que amaba a los perros volumen independ cuadros student text volume 3 of 4 intermediate spanish jan 29 2023 conversar con nani le ayuda al igual que

[el hombre que amaba a los perros volumen independ pdf 2023](#) - Aug 02 2022

web may 26 2023 el hombre que amaba a los perros volumen independ 1 10 downloaded from uniport edu ng on may 26 2023 by guest el hombre que amaba a los perros

el hombre que amaba a los perros coleccion andanzas - Mar 09 2023

web el hombre que amaba a los perros amazon co uk padura con jorgelina 19 noviembre 2017 el hombre que amaba a los perros de leonardo padura ep 14

el hombre que amaba a los perros volumen independ copy - Apr 29 2022

web may 31 2023 el hombre que amaba a los perros volumen independ 2 10 downloaded from uniport edu ng on may 31 2023 by guest out when she wins a scholarship to study

[el hombre que amaba a los perros volumen independ stephen](#) - Sep 22 2021

el hombre que amaba a los perros volumen independ - May 11 2023

web the midst of guides you could enjoy now is el hombre que amaba a los perros volumen independ below one hundred years of solitude gabriel garcía márquez 2022 10 11

el hombre que amaba a los perros volumen independ kurt - Jul 13 2023

web aug 14 2023 el hombre que amaba a los perros comenzó a hacerlo depositario de unas singulares confianzas que van centrándose en la figura del asesino de trotski

el hombre que amaba a los perros planeta de libros argentina - Jan 07 2023

web el hombre que amaba a los perros ebook

el hombre que amaba a los perros volumen independ pdf - Jul 01 2022

web el hombre que amaba a los perros volumen independ 1 el hombre que amaba a los perros volumen independ when somebody should go to the books stores search

el hombre que amaba a los perros volumen independ carlos - Apr 10 2023

web jan 7 2014 digital en 2004 a la muerte de su mujer iván aspirante a escritor y ahora responsable de un paupérrimo gabinete veterinario de la habana vuelve los ojos hacia

el hombre que amaba a los perros volumen independ - Sep 03 2022

web to the notice as capably as sharpness of this el hombre que amaba a los perros volumen independ pdf can be taken as without difficulty as picked to act poetry

el corte inglés - Dec 06 2022

web el hombre que amaba a los perros el hombre que amaba a los perros volumen independ downloaded from retailer bonide com by guest marlee august havana

el hombre que amaba a los perros volumen independ - Dec 26 2021

web una guerra revolucionaria con una rebelión de guerrillas en arabia como par te de la primera guerra mundial es el motivo que induce a thomas edward lawrence más

el hombre que amaba a los perros andanzas - Aug 14 2023

web kindly say the el hombre que amaba a los perros volumen independ is universally compatible with any devices to read el señor presidente miguel angel asturias 1978

el hombre que amaba a los perros volumen independ pdf - Mar 29 2022

web right here we have countless book el hombre que amaba a los perros volumen independ and collections to check out we additionally present variant types and in

the marginal world bron taylor 2022 ftp themontcalmclub - Jul 02 2022

web the marginal world bron taylor free pdf books download the marginal world bron taylor pdf or read the marginal world bron taylor pdf on the most popular online pdflab only

[the marginal world bron taylor cyberlab sutd edu sg](#) - Jun 13 2023

web the marginal world bron taylor religion and ecological crisis oct 22 2021 in 1967 lynn white jr s seminal article the historical roots of our ecologic crisis was

[the marginal world bron taylor 2022 ma swischoolwear co](#) - Oct 05 2022

web aug 1 2023 dark green religion bron taylor 2009 11 03 in this innovative and deeply felt work bron taylor examines the evolution of green religions in north america and

the marginal world bron taylor pdf pdf voto uneal edu - May 12 2023

web short of extraordinary within the captivating pages of the marginal world bron taylor pdf a literary masterpiece penned with a renowned author readers embark on a transformative

[the marginal](#) - Apr 30 2022

web the marginal world bron taylor author laurenz schierokauer from gcampp licenses meras gov sa subject the marginal world bron taylor keywords

[the marginal world bron taylor](#) - Aug 15 2023

web plants and animals in this difficult world of the shore life displays its enormous toughness and vitality by occupying almost every conceivable niche visibly it carpets the

themarginalworldbrontaylor download only dev gamersdecide - Nov 06 2022

web 2 the marginal world bron taylor 2020 08 11 santiago palmer restored to earth a c black the renowned christian preacher and new york times bestselling author of

[rachel carson the marginal world bookanista](#) - Jan 08 2023

web the marginal world bron taylor 1 the marginal world bron taylor this is likewise one of the factors by obtaining the soft documents of this the marginal world bron taylor

the marginal world bron taylor - Mar 30 2022

web the marginal world bron taylor national geographic magazine jesus van nasaret wikipedia abc tv shows specials amp movies abc com mahatma gandhi wikipedia

[themarginalworldbrontaylor pdf vitaenet aurora](#) - Jun 01 2022

web martha rose crow a good friend of mine was a feminist the marginal mystic alchemist rose magician gnostic poet lyricist musician vegetarian philosopher socialist

bron taylor agenda contributor world economic forum - Apr 11 2023

web jun 13 2022 for conservation to truly work we must view the natural world as more than just objects and resources we need to fundamentally alter how we see nature and other
the marginal world bron taylor media joomlashine com - Sep 23 2021

the marginal world bron taylor help environment harvard edu - Jul 14 2023

web the marginal world of oe kenzaburo a study of themes and techniques michiko n wilson 2016 09 16 the first full length book devoted to japan s 1994 nobel laureate

the marginal world bron taylor uniport edu - Dec 27 2021

web the marginal world bron taylor recognizing the showing off ways to acquire this books the marginal world bron taylor is additionally useful you have remained in right site

the marginal world bron taylor - Jan 28 2022

web may 26 2023 the marginal world of oe kenzaburo a study of themes and techniques michiko n wilson 2016 09 16 the first full length book devoted to japan s 1994 nobel

the marginal world bron taylor pqr uiaf gov co - Nov 25 2021

web the marginal world bron taylor world by purchasing power parity at 288 418 billion per annum environment news amp features the telegraph may 5th 2018 23 apr 2018 10

get free the marginal world of oe kenzaburo a study in - Aug 03 2022

web this online pronouncement the marginal world bron taylor can be one of the options to accompany you like having other time it will not waste your time endure me the e book

the marginal world bron taylor retreat vedantaworld - Dec 07 2022

web themarginalworldbrontaylor 1 themarginalworldbrontaylor i v therapy made incredibly easy deviant behavior medical microbiology hvac level 1 advanced

the marginal world bron taylor housing gov mv - Oct 25 2021

web the marginal world bron taylor mahatma gandhi wikipedia may 1st 2018 mohandas karamchand gandhi n d i æ n hindustani mo nd a s k r mt nd

the marginal world bron taylor pdf full pdf - Mar 10 2023

web jun 28 2023 if you ally craving such a referred the marginal world bron taylor pdf books that will have the funds for you worth get the enormously best seller from us

the marginal world bron taylor online kptm edu my - Feb 26 2022

web the marginal world bron taylor popmatters may 6th 2018 veteran musician robbie dupree is ok with you calling his

music yacht rock after all he says it s not the only trick

the marginal world bron taylor pdf rchat technosolutions - Feb 09 2023

web you craving currently this the marginal world bron taylor as one of the most full of life sellers here will unconditionally be in the midst of the best options to review the

the marginal world bron taylor uniport edu - Sep 04 2022

web oct 26 2022 the marginal world bron taylor the marginal world mutable capable of or tending to change in form or quality or nature niche an enclosure that is set back